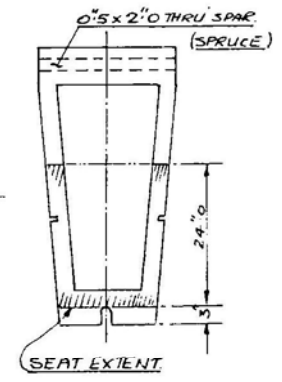
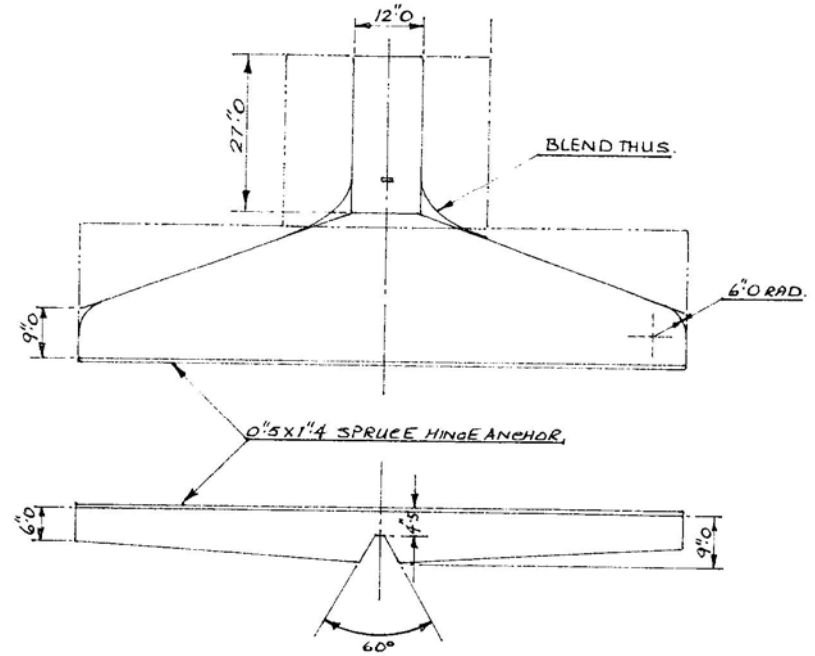
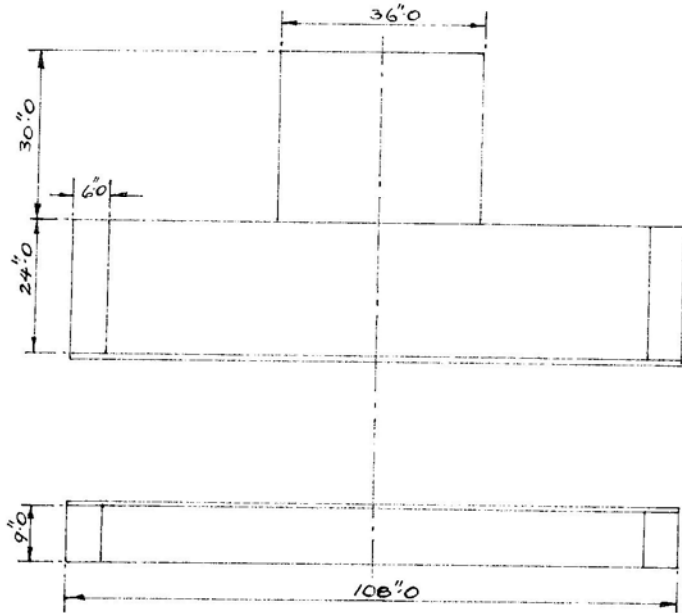


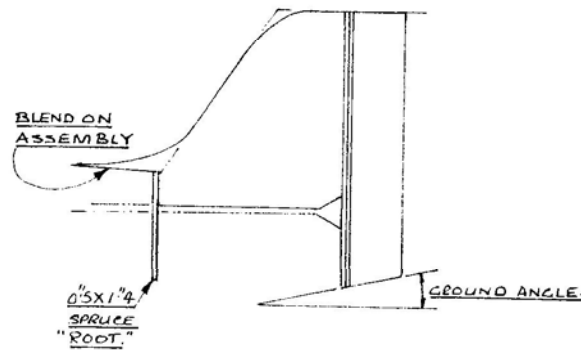
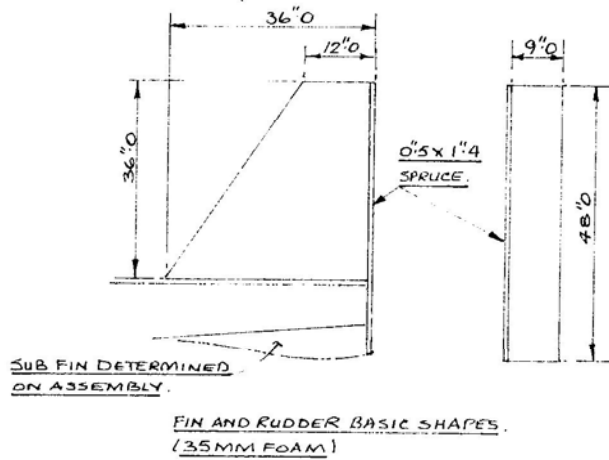
MAIN FUSELAGE FRAME.
MAIN DIMENSIONS. (F2)



L3-F1
 H. LORIMER.
 2 FEB. '02

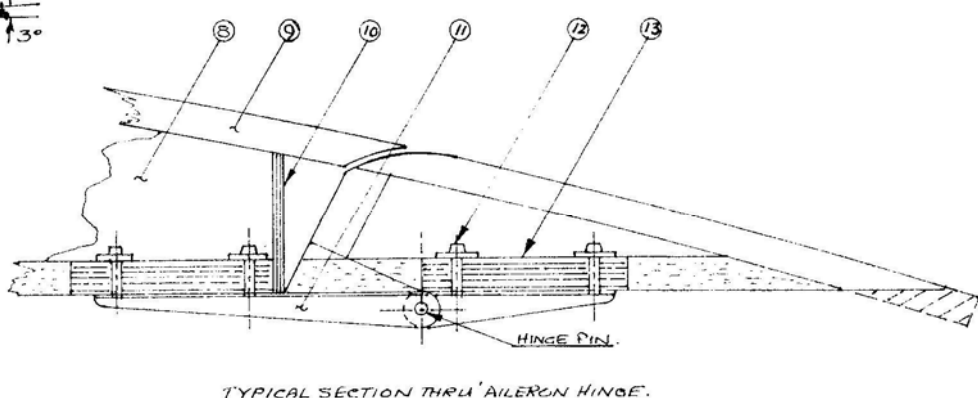
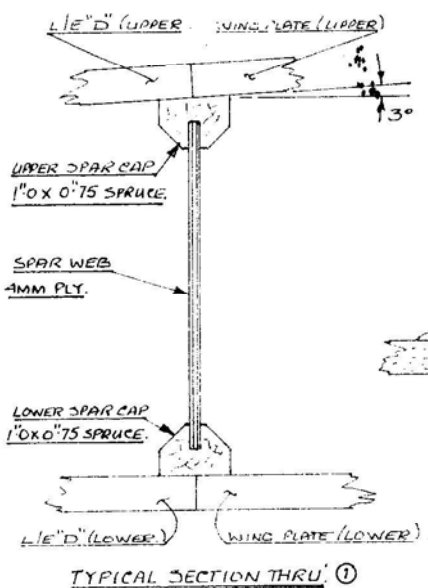
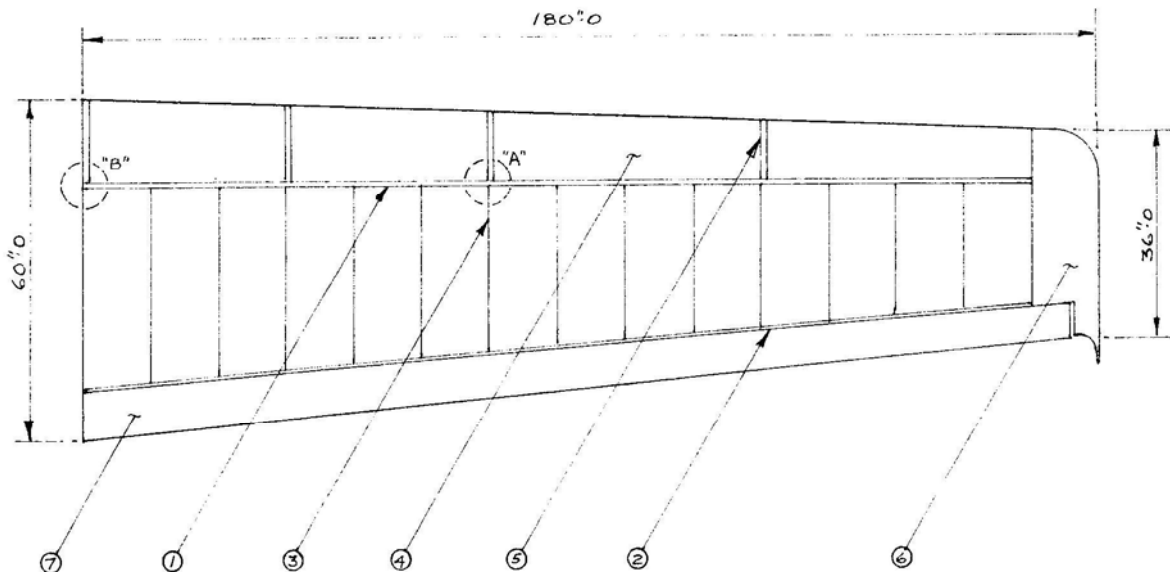


TAILPLANE AND ELEVATOR BLOCKS.
(35 MM FOAM.)



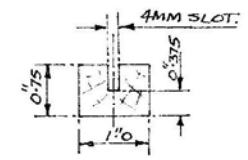
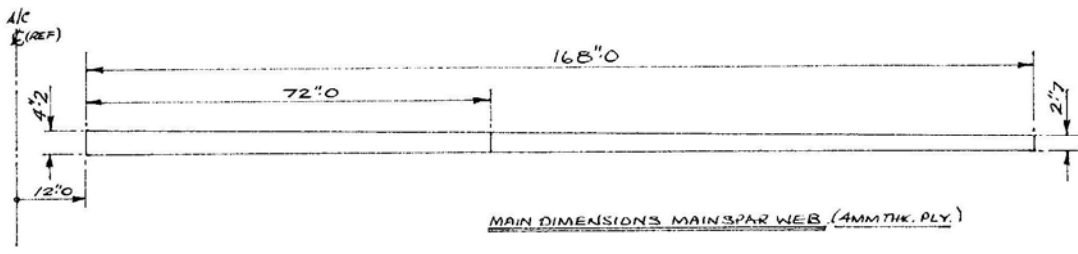
L3-S1.

H.LORIMER.
20 AUG. '01

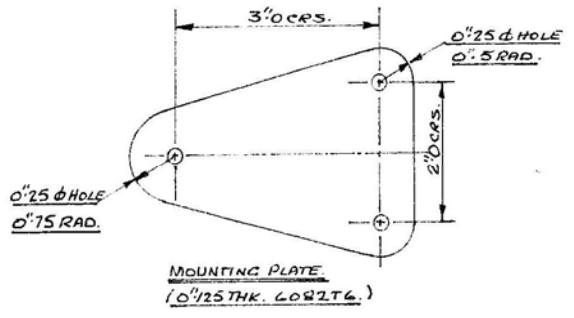
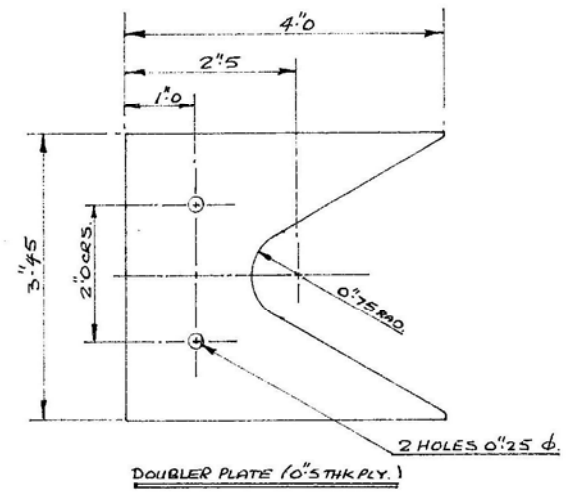
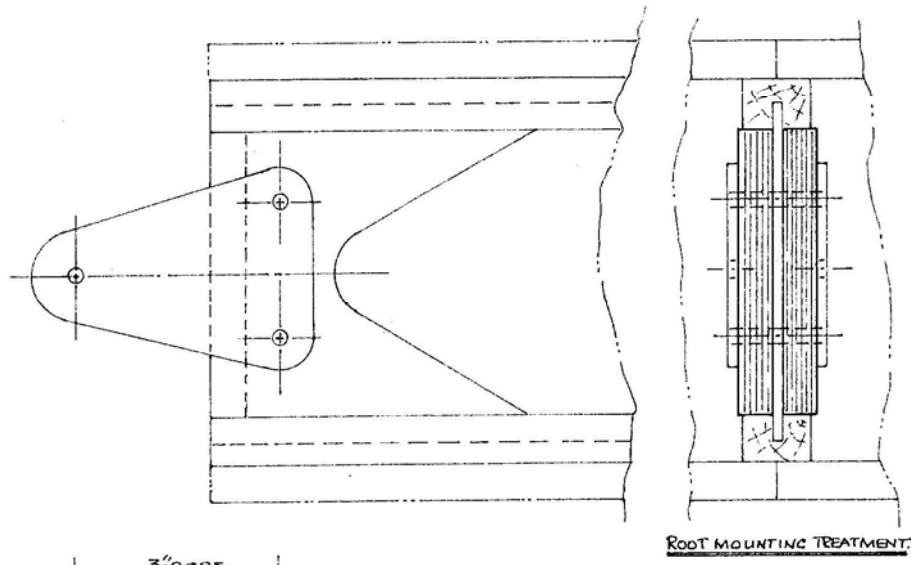


PART	DESCRIPTION
1	MAIN SPAR.
2	REAR SPAR.
3	RIB @ A/c.
4	1 1/2" D.
5	BOXING 1 1/2" RIB.
6	SOLID SHAPED TIP.
7	AILERON.
8	RIB. 0.5" THK. FOAM.
9	UPPER WING PLATE 0.5" THK. FOAM.
10	REAR SPAR. 4MM PLY.
11	HINGE (FOLDED "U" CHANNEL.
12	ANCHOR NUTS.
13	PLY INSERT (0.5" THK.)
14	

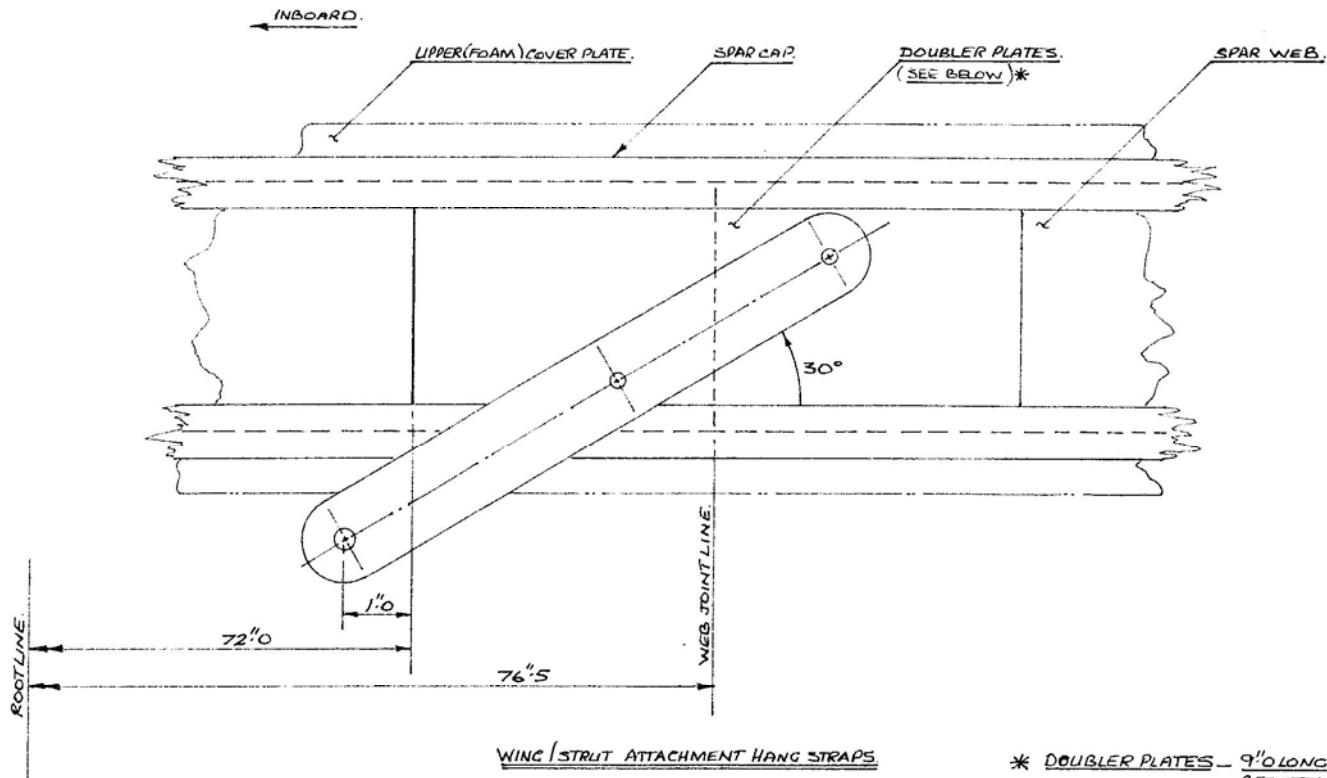
L3-W1
H. LORIMER
2 AUG. '01



SPAR CAPS SECTION (SPRUCE)

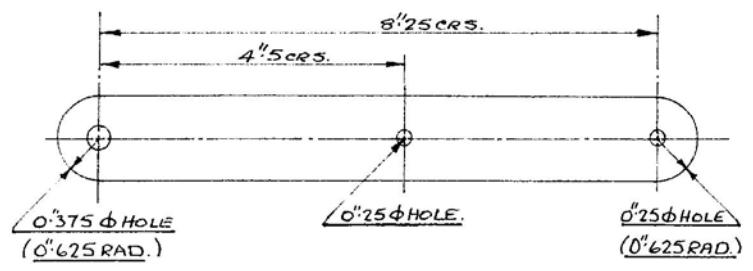


L3-W2.
H. LORIMER.
18 AUG. '01



WING / STRUT ATTACHMENT HANG STRAPS

* DOUBLER PLATES - 9"0 LONG TO FIT BETWEEN SPAR CAPS AND COVERS WEB BUTT JOINT 0"5 THK. PLY.



HANG STRAP DETAIL.
(4.5MM THK. 6082 T6)

L3-W3.
H. LORIMER.
20 AUG. '01.